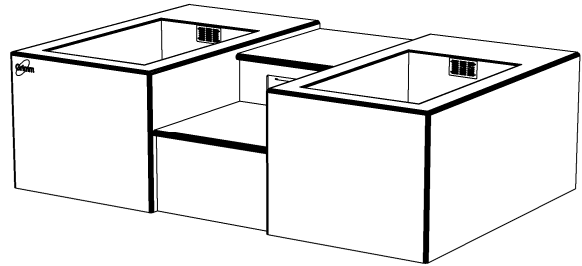


Model 4118 Cold 2 Warm Hydrotherapy Console

A versatile and efficient hydrotherapy system for treating multiple athletes. Both warm and cold whirlpool tanks offer whole-body and extremity immersion. Water temperatures are precisely maintained with an internal refrigeration system. No need to add ice or hot water. Standard protocol recommends draining and cleaning only once a week. This self-contained unit fits through a 36" x 84" door and can be installed in new or existing hydrotherapy areas with minimum site preparation.

**Stainless Steel Tanks**

Both tanks are 48" long, 30" wide, and 28" deep with a capacity of 162 gallons. They are formed and welded from heavy gauge Type 304 stainless steel into a seamless unit with coved corners for easy cleaning. These high-quality stainless-steel tanks assure maximum sanitation and provide a lifetime of durable service.

Corian Surface

The exterior is covered with Cameo White Corian solid surface material. This comfortable and easy to clean surface is extremely durable. A wide variety of Corian colors are available to select from for the step surfaces and optional team logo inlay.

Hydrotherapy System

Independent dual-speed pumps provide circulation for each tank. Press the timer button and hydrotherapy action is delivered through Comfort-Flo nozzles for 15 minutes. Air controls activate turbo-boost for smooth, high-volume air/water flow.

Cartridge Filters

Water cleanliness and clarity is maintained with 100% circulation through replaceable cartridge filters.

Water Level Controls

Both tanks have automatic water level controls to maintain a constant water level. These eliminate manual filling, replace water volume displaced by immersion, and help refresh the tanks.

Heat Recovery System

The unique energy efficient refrigeration system warms the right tank with heat recovered while cooling the left tank. The right tank can also be switched from warm to cold when both tanks are needed for cryotherapy.

Temperature Controls

Electronic controls accurately maintain and digitally display water temperatures to within 0.1°F in both tanks. The left tank is adjustable from 40°F to 70°F, the right tank from 40°F to 110°F.

Foamed-In-Place Insulation

At least six inches of foamed-in-place polyurethane insulation surrounds and supports both tanks. This exceptional insulation significantly reduces heat loss. CRYOTherm will pay for itself with energy and water savings when compared to conventional whirlpools.

Optional Corian Logo Inlays

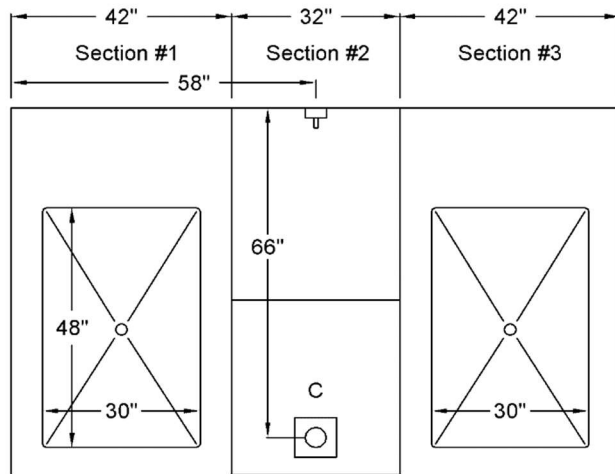
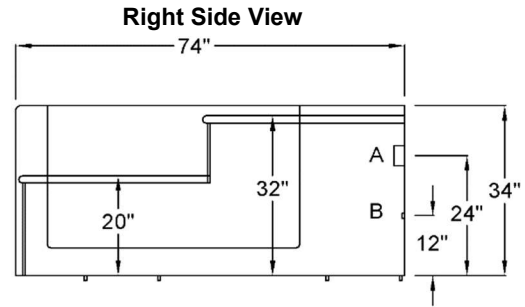
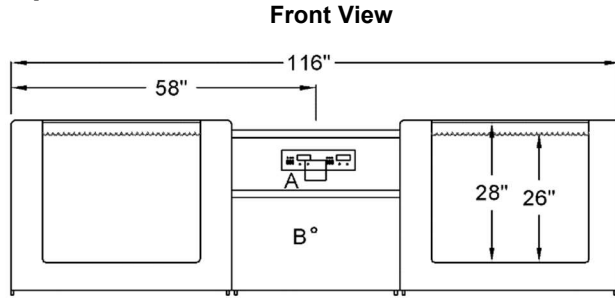
Logo inlay pricing is based on the number of Corian colors required. Your logo is carved into the Corian exterior with a CNC router. Individual logo pieces are also carved from the desired Corian color(s) and inlaid to create your custom graphic.

Installation

Delivery, installation supervision, and field-testing are included with the CRYOTherm Cold 2 Warm Hydrotherapy Console.



Specifications



Top View

FDA Listed Medical Device

**ETL Certified to Meet UL 1795
Standard for Safety –
Hydrotherapy Bathtubs**

- Left Tank.....40°F to 70°F
- Right Tank.....40°F to 110°F
- Tank Capacities.....162 gal.
- Weight (Filled).....4,654 lb.
- Weight (Empty).....1,950 lb.

One-Year Warranty

The CRYOTherm warranty applies to purchaser and any subsequent owner. Grimm Scientific Industries, Inc. (warrantor) warrants this product to be free from defects in material and workmanship under normal use for one year from the date the product is installed. The warrantor may opt to replace the product, rather than repair it. This warranty does not cover damage resulting from accidents, improper use, or maintenance of this product, and in no case shall warrantor's liability exceed the original purchase price paid for the product. This warranty is expressly in lieu of all other express warranties.

Contact Us:

Grimm Scientific Industries, Inc
P.O. Box 2143
Marietta, OH 45750

Phone....800-223-5395
Fax.....740-374-5745
E-mail....info@grimmscientific.com



A = Electrical Connection

208V, 60Hz, Single Phase 4-Wire
Rating at Full Load = 21 Amp Max
* Circuit Breaker = 2-Pole, 30 Amp, GFCI
* Wall Outlet = NEMA 14-30R

(* Supplied by Customer)

B = Cold Water Supply Connection

Pipe Size = 3/4 FPT Brass
Backflow Preventer = Included with CRYOTherm
Water Temperature = 45°F Min. 80°F Max.
Water Pressure = 20 PSI Min. 60 PSI Max.

C = Drain Connection

Pipe Size = 2" Copper
Flow = 40 GPM
Floor Sink with 4-Inch drain is recommended